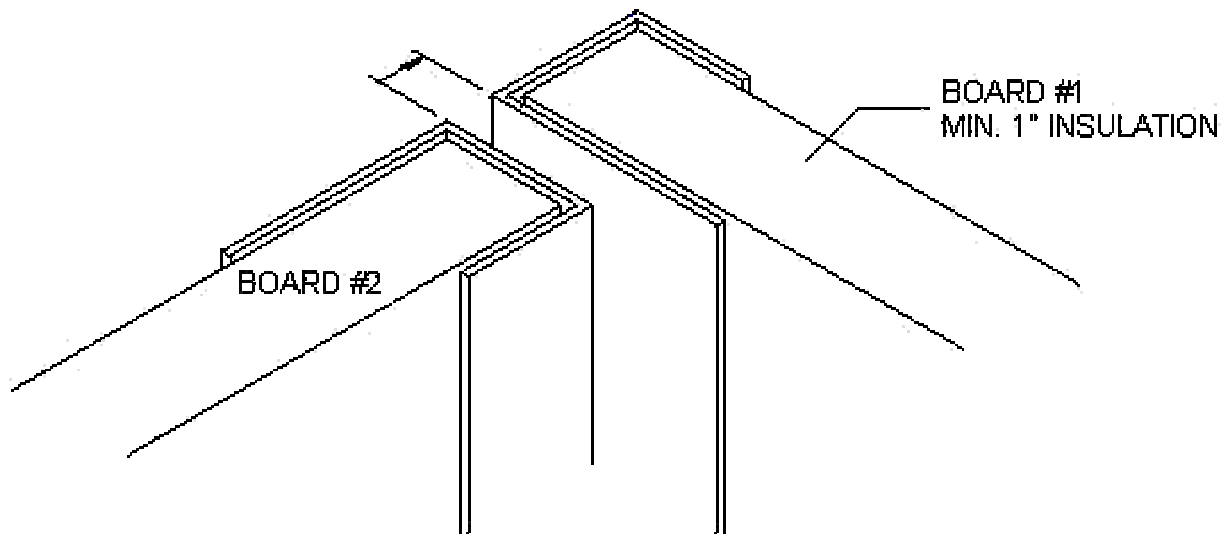


PVC J-Channel (Inside Corners)



- ① REVERSE PVC J CHANNEL AND FIT OVER THE LONG EDGE OF INSULATION BOARD #1.
- ② FASTEN THE CORNER SHEET OF INSULATION BOARD #1 ON THE FRAMING MEMBERS.
- ③ FIT PVC J CHANNEL OVER THE LONG EDGE OF BOARD #2.
- ④ BUTT THE CORNER SHEET OF INSULATION BOARD #2 TO BOARD #1 AND FASTEN TO FRAMING MEMBERS.
- ⑤ APPLY CONTINUOUS BEAD OF SEALANT SUCH AS VULKEN 116, SIKAFLEX 201 OR CARLISLE GSC-102C SEALANT ALONG THE TWO CROTCHES FORMED BY VERTICAL EDGE OF THE TWO PVC CHANNELS.