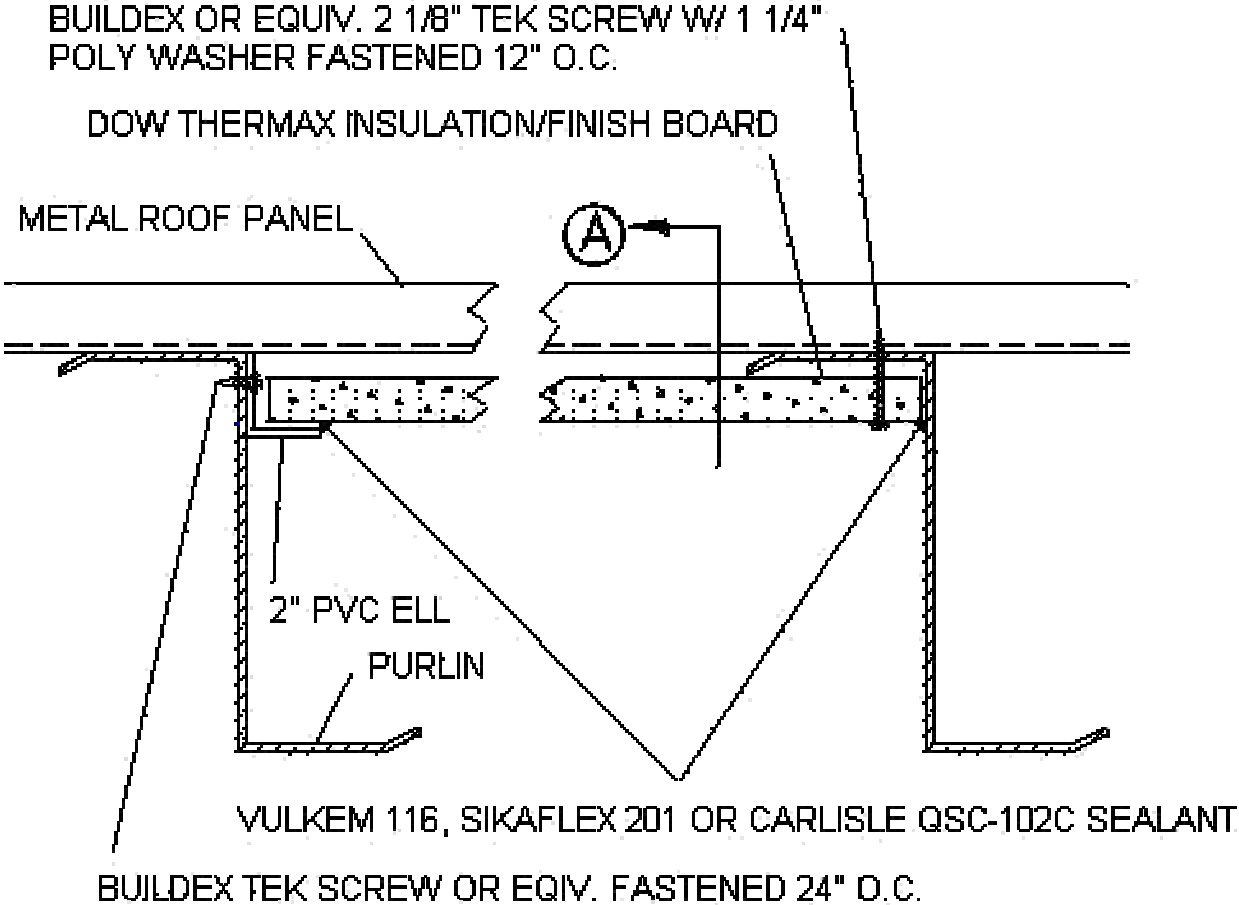


Ceiling Option #1 (THERMAX Inside Purlins)



NOTE: SCREW MUST BE IN RIB OF ROOF ONLY